


# BMDM Quick Start Cards







990 South Rogers Circle, Suite 11  
Boca Raton, FL 33487  
Tel: 561-997-2299 Fax: 561-997-5588  
[www.alber.com](http://www.alber.com)

## ***View Real Time Voltage***


<b>Task</b>	<b>How to Do It</b>
Select a string.	From the String Status screen, highlight a string in the list by clicking on the string.
Connect.	 Click the Connection button on the menu bar.
Display the string view Cell Voltage screen.	After the system connects, the String View screen appears and displays a Cell Voltage bar graph.
Observe actual voltage readings.	Each bar represents a cell or module/jar voltage. Click a bar to display an actual voltage. These values are continually updated.

## View Historical Resistance Readings

Task	How to Do It
Select a string.	From the String Status screen, highlight a string in the list by clicking on the string.
Connect.	 Click the Connection button on the menu bar.
Display the string view Cell Voltage screen.	After the system connects, the String View screen appears and displays a Cell Voltage bar graph.
Display the string view Resistance screen.	 From the Cell Voltage screen, click the View Resistance button on the menu bar.
Observe actual resistance readings.	 If new resistance readings are available, they appear as a bar graph, similar to the Cell Voltage screen. Readings are taken at user-defined intervals (usually 30 days). If no readings are available, click the Open button to select the latest set of readings taken.
Return to the Cell Voltage screen (optional), or close the graph when finished.	 From the Resistance screen, click the View Voltage button on the menu bar.





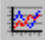

## ***View Cell Voltage Trend and Average Voltage Trend***

You will connect to a monitor and see the historical performance of a cell.

<b>Task</b>	<b>How to Do It</b>
Select a string.	From the String Status screen, highlight a string in the list by clicking on the string.
Connect.	 Click the Connection button on the menu bar.
Display the string view Cell Voltage screen.	After the system connects, the String View screen appears and displays a Cell Voltage bar graph.
Display the Cell Data box.	Click any bar in the bar graph. The bar changes color and the Cell Data box appears.
Display the Cell Voltage Trend graph for an individual cell.	Right click the same bar then select Trend   Cell. Close the graph when finished.
Display the Cell Data box.	Left click any bar in the bar graph. The bar changes color and the Cell Data box appears.
Display the Average Voltage Trend graph.	Right click the same bar then select Trend   Average. Each data point represents the calculated average of all the cells on the specified date. Close the graph when finished.






## View String Discharge History and Graphs

You will connect to a monitor and see the discharge statistics of the string.

Task	How to Do It
Select a string.	From the String Status screen, highlight a string in the list by clicking on the string.
Connect.	 Click the Connection button on the menu bar.
Display the string view Cell Voltage screen.	After the system connects, the String View screen appears and displays a Cell Voltage bar graph.
Select a discharge to display.	 Click the View Discharge button on the menu bar. Highlight a name that appears in the discharge list by clicking on the name.
Display the Discharge Playback screen.	  Click the Discharge Replay button on the menu bar. Use the Replay Option button to set up playback options.
Display the Discharge line graph.	  Click the Discharge Curve button on the menu bar. Use the Curve Option button to select up to three parameters to display.





## View Alarms and Alarm History

You will connect to a monitor and see the alarm statistics of the string.

Task	How to Do It
Select a string.	From the String Status screen, highlight a string in the list by clicking on the string.
Connect.	 Click the Connection button on the menu bar.
Display the string view Cell Voltage screen.	After the system connects, the String View screen appears and displays a Cell Voltage bar graph.
View the Current Alarm list.	  Click the View Alarm button on the menu bar or click Get Current Alarms if already in an Alarm screen.
View the Current Historical Alarm list. Current historical alarms are alarms that have cleared on their own or have been reset manually.	 Click the Get Current Historical Alarms button on the menu bar in an Alarm screen.
View the Historical Alarm list. Historical alarms are alarms that have been transferred from the monitor memory to the database in the computer.	 Click the View Historical Alarms button on the menu bar in an Alarm screen.


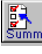



## Perform a Resistance Test

You will connect to a monitor and conduct a resistance test on the string.

Task	How to Do It
Select a string.	From the String Status screen, highlight a string in the list by clicking on the string.
Connect.	 Click the Connection button on the menu bar.
Display the string view Cell Voltage screen.	After the system connects, the String View screen appears and displays a Cell Voltage bar graph.
Display the string view Resistance screen.	 From the Cell Voltage screen, click the View Resistance button on the menu bar.
Do a resistance reading.	 Click the green Start (Start Resistance Test) button on the menu bar. Enter the password on the Password screen.
Display the test results.	 Click the green Get (Get Test Results) button on the menu bar.

## Use the Report Generator Program

You will preview or print a Summary Report for a selected string or battery.

Task	How to Do It
Exit the BMDM program and start the BMRG (Battery Monitor Report Generator) program.	 From the BMDM String Status screen, select File Exit. On the desktop, double-click the BMRG icon.
Set up the program for Summary.	  From the main screen, click the Summ (Summary Setup) button on the toolbar left side, then click the Battery/String button on the right to select battery or string.
Select the range of data for the report.	At the screen bottom, select the range (dates of data).
Select the string or battery for the report.	 Click a customer, location, and battery or string name, then click the R-Summ (Run Summary Setup) button on the toolbar right side.
Select report parameters.	From the Summary Setup screen, check the parameters to include in the report.
Create and preview the report.	Click the Preview button to generate a print preview of the report. Click the arrow buttons to view other pages.
Print a report.	If a printer is connected, click the Print button.
Exit the BMRG program and start the BMDM program.	 Exit the BMRG by selecting File Exit. On the desktop, double-click the BMDM icon.