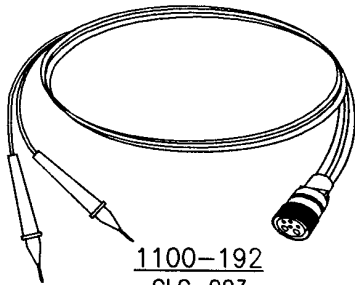
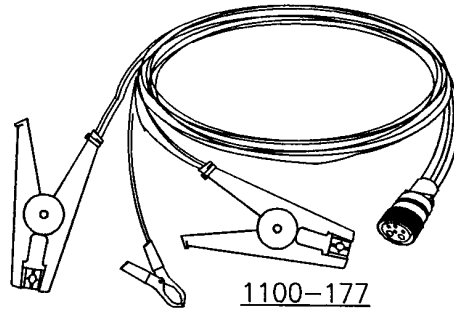


# Albercorp.

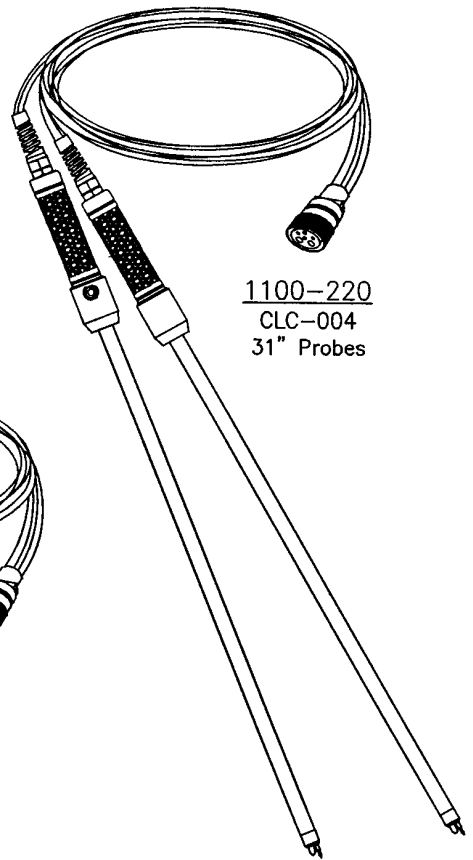
## CELLCORDER CONNECTION OPTIONS



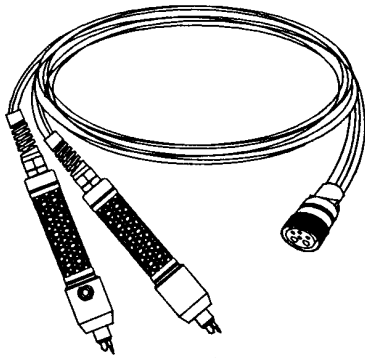
1100-192  
CLC-003  
Voltage Leads



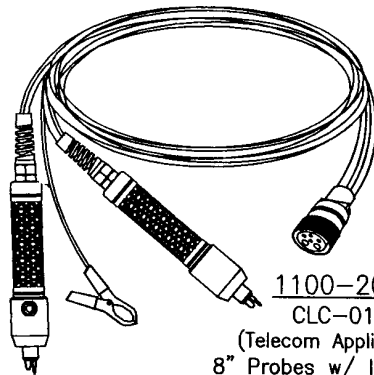
1100-177  
CLC-002  
1/4 Turn Plug  
1100-204  
CLC-001  
Threaded Plug



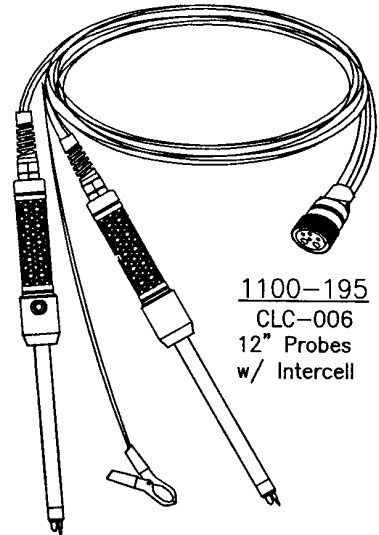
1100-220  
CLC-004  
31" Probes



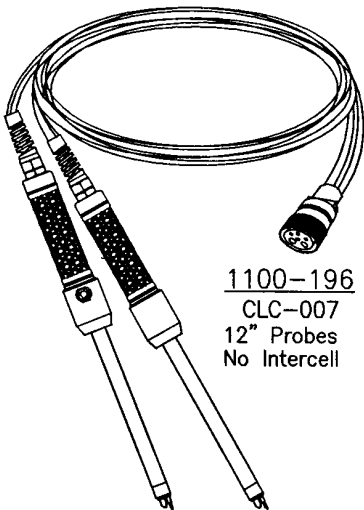
1100-200  
CLC-010  
8" Probes no Intercell



1100-203  
CLC-011  
(Telecom Application)  
8" Probes w/ Intercell



1100-195  
CLC-006  
12" Probes  
w/ Intercell



1100-196  
CLC-007  
12" Probes  
No Intercell

NOTE: Reference Drawing No. CCM-304-A423 Rev. A.1  
for additional information on Spike Probe Leads.

*For further information on which Cellcorder leads are best suited to your individual requirements, contact your local ALBER representative or ALBERCORP directly at:*

Phone (561) 997-2299 Fax (561) 997-5588  
990 S. Rogers Circle, Suite 11  
Boca Raton, FL 33487

ALL ALBERCORP PRODUCTS ARE ENGINEERED, DESIGNED, AND MANUFACTURED IN THE U.S.A.