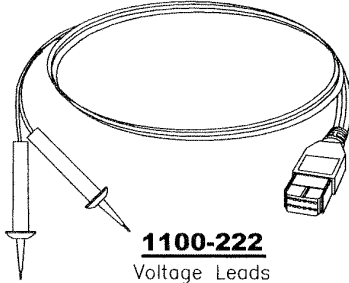
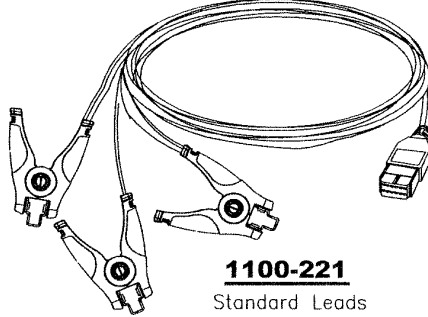


Alber

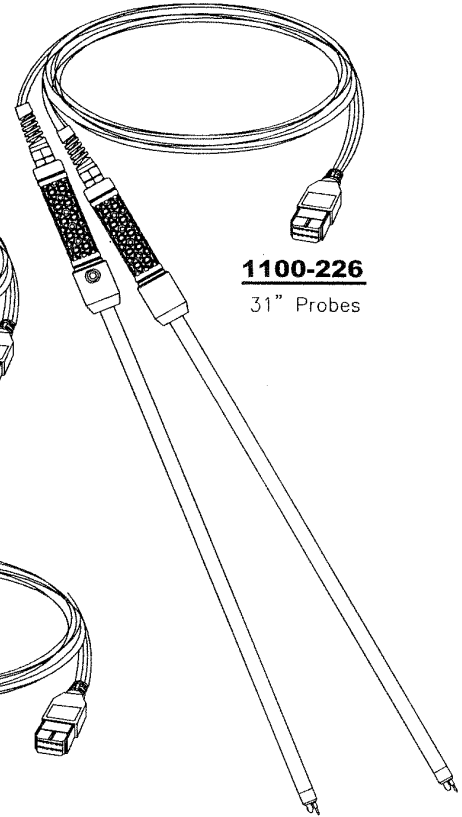
CELLCORDER CONNECTION OPTIONS



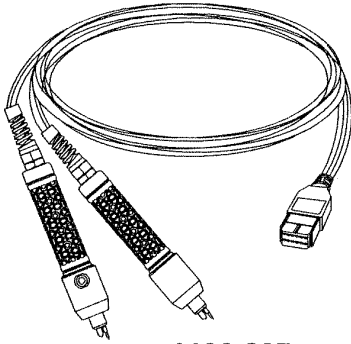
1100-222
Voltage Leads



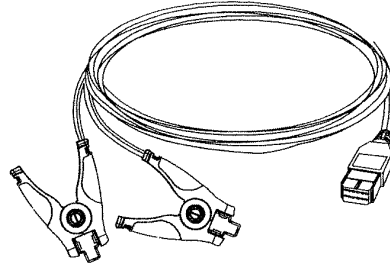
1100-221
Standard Leads



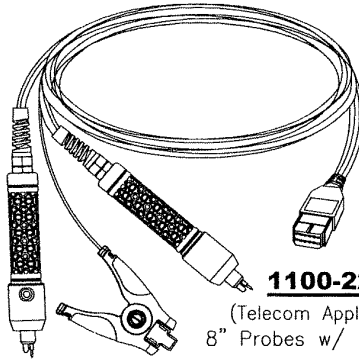
1100-226
31" Probes



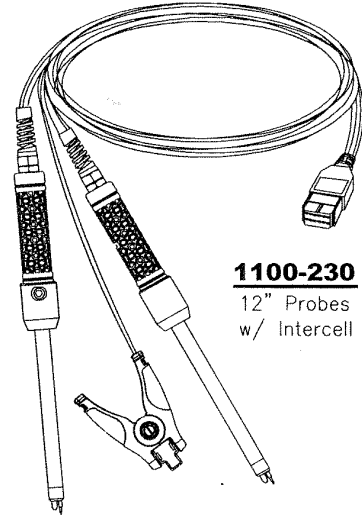
1100-227
8" Probes no Intercell



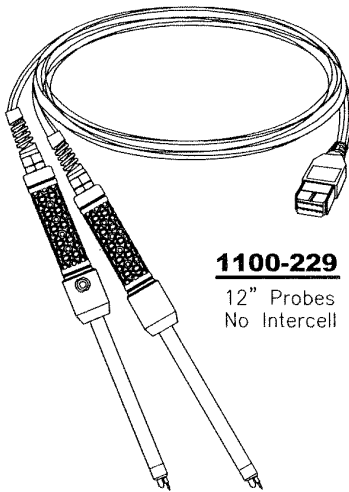
1100-231
Combined Leads
(No Intercell)



1100-228
(Telecom Application)
8" Probes w/ Intercell



1100-230
12" Probes
w/ Intercell



1100-229
12" Probes
No Intercell

NOTE: Reference Drawing No. CCM-304-A423 Rev. A.1
for additional information on Spike Probe Leads.

For further information on which Cellcorder leads are best suited to your individual requirements, contact your local ALBER representative or ALBERCORP directly at:

Phone (561) 997-2299 Fax (561) 997-5588

990 S. Rogers Circle, Suite 11

Boca Raton, FL 33487

ALL ALBERCORP PRODUCTS ARE ENGINEERED, DESIGNED, AND MANUFACTURED IN THE U.S.A.